

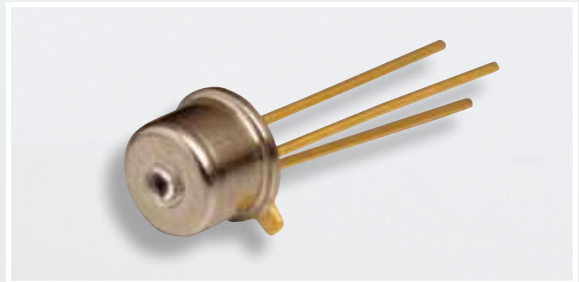
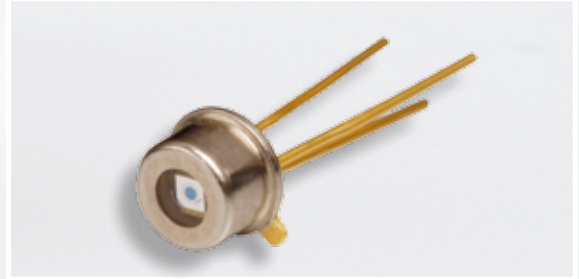
High Speed Silicon Photodiodes

High Speed Silicon Series

OSI Optoelectronics High Speed Silicon series are small area devices optimized for fast response time or High bandwidth applications. The BPX-65 complements the rest of the high speed group with an industry standard.

The spectral range for these devices goes from 350 nm to 1100 nm. The responsivity and response time are optimized such that the HR series exhibit a peak responsivity of 0.50 A/W at 800 nm and typical response times of a few hundred pico seconds at -5V.

Note that for all high-speed photodetectors, a reverse bias is required to achieve the fastest response times. However, the reverse bias should be limited to maximum reverse voltage specified to avoid damage to the detector. Output signals can be measured directly with an oscilloscope or coupled to high frequency amplifiers as shown in figure 10 of the Photodiode Characteristics section of the catalog. All parts in the High-Speed silicon series are available with a flat window or ball lens (L).

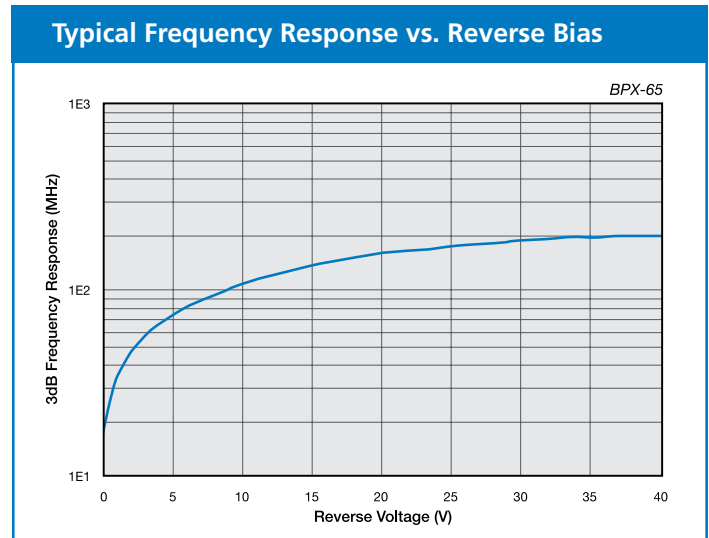
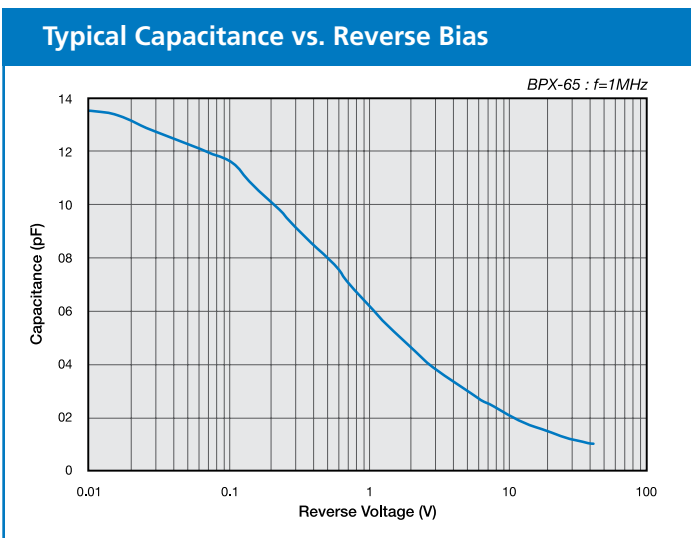
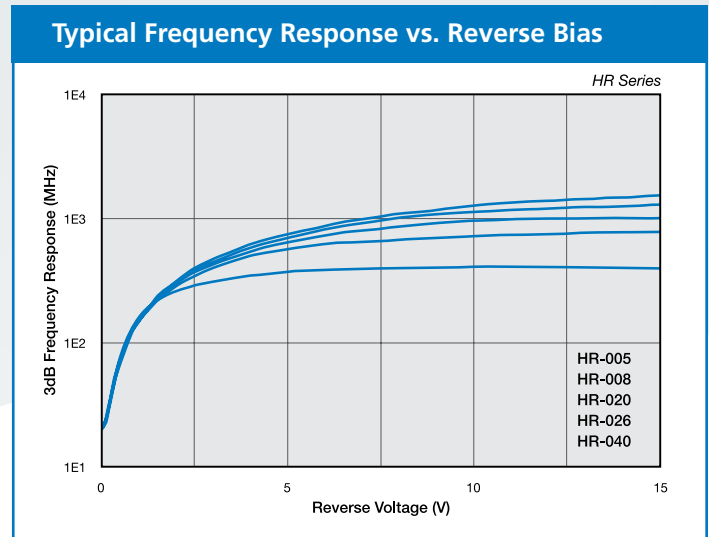
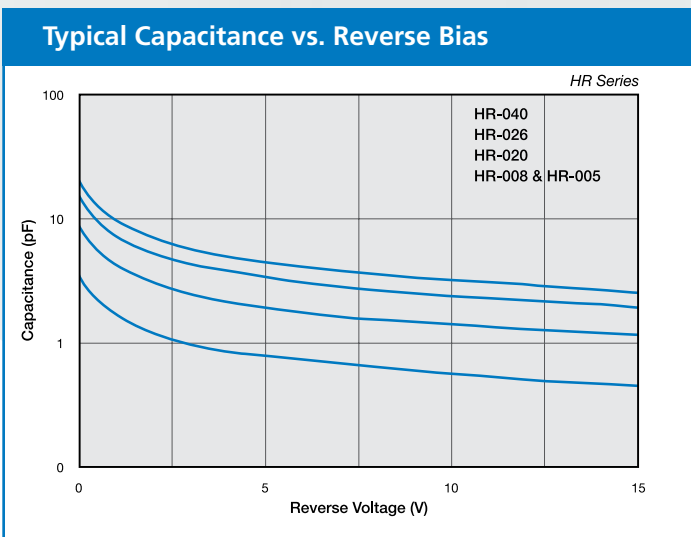


APPLICATIONS

- Video Systems
- Computers and Peripherals
- Industrial Control
- Guidance Systems
- Laser Monitoring

FEATURES

- Low Dark Current
- Low Capacitance
- TO-46 Package
- w/Lensed Cap
- Sub ns Response

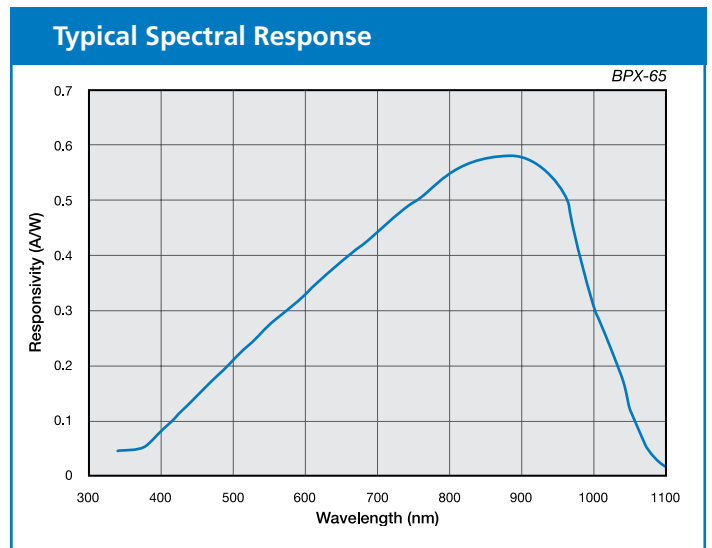
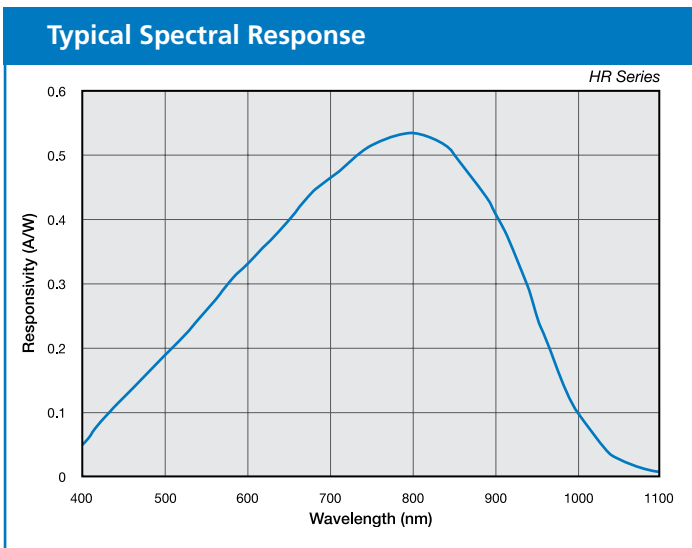


High Speed Silicon Series

Typical Electro-Optical Specifications at $T_A=23^\circ\text{C}$

Model Number	Active Area		Peak Wavelength (nm)	Responsivity (A/W)		Capacitance (pF) ‡	Dark Current (nA) ‡		NEP (W/√Hz)	Reverse Voltage (V)	Rise Time (ns)	Temp.** Range (°C)		Package Style ¶					
	Area (mm²)	Dimensions (mm)		830 nm			typ.	typ.				max.	typ.		max.	typ.	830 nm 50 Ω	Operating	Storage
				min.	typ.														
High Responsivity Series ($V_{BIAS}=-5\text{ V}$)																			
PIN-HR005 PIN-HR005L*	0.01	0.127 φ	800	0.45*	0.50*	0.8	0.03	0.8	5.0 e-15	15	0.60	-25 ~ +85	-40 ~ +100	9 / TO-18 16 / TO-18 (L - Ball Lens Cap)					
PIN-HR008 PIN-HR008L*	0.03	0.203 sq													0.8	0.03	0.8	5.0 e-15	0.60
PIN-HR020 PIN-HR020L*	0.20	0.508 φ													1.8	0.06	1.0	7.1 e-15	0.80
PIN-HR026 PIN-HR026L*	0.34	0.660 φ													2.6	0.1	1.5	1.0 e-14	0.90
PIN-HR040 PIN-HR040L*	0.77	0.991 φ													4.9	0.3	2.0	1.9 e-14	1.0
BPX-65 ($V_{BIAS}=-20\text{ V}$)																			
BPX-65	1.0	1.0 sq	900	0.45	0.5	3.0	0.5	5.0	2.3 e-14	50	2.0			7 / TO-18					

¶ For mechanical drawing, please refer to pages 61 thru 73.
 * Responsivities are measured for Flat window devices. L- Refers to devices with a Ball-type lens cap.
 Chip centering is within +/- 0.005" with respect to OD of the Header.
 ** Non-Condensing temperature and Storage Range, Non-Condensing Environment.



AVOID DIRECT LIGHT

Since the spectral response of silicon photodiode includes the visible light region, care must be taken to avoid photodiode exposure to high ambient light levels, particularly from tungsten sources or sunlight. During shipment from OSI Optoelectronics, your photodiodes are packaged in opaque, padded containers to avoid ambient light exposure and damage due to shock from dropping or jarring.

AVOID SHARP PHYSICAL SHOCK

Photodiodes can be rendered inoperable if dropped or sharply jarred. The wire bonds are delicate and can become separated from the photodiode's bonding pads when the detector is dropped or otherwise receives a sharp physical blow.

CLEAN WINDOWS WITH OPTICAL GRADE CLOTH / TISSUE

Most windows on OSI Optoelectronics photodiodes are either silicon or quartz. They should be cleaned with isopropyl alcohol and a soft (optical grade) pad.

OBSERVE STORAGE TEMPERATURES AND HUMIDITY LEVELS

Photodiode exposure to extreme high or low storage temperatures can affect the subsequent performance of a silicon photodiode. Storage temperature guidelines are presented in the photodiode performance specifications of this catalog. Please maintain a non-condensing environment for optimum performance and lifetime.

OBSERVE ELECTROSTATIC DISCHARGE (ESD) PRECAUTIONS

OSI Optoelectronics photodiodes, especially with IC devices (e.g. Photops) are considered ESD sensitive. The photodiodes are shipped in ESD protective packaging. When unpacking and using these products, anti-ESD precautions should be observed.

DO NOT EXPOSE PHOTODIODES TO HARSH CHEMICALS

Photodiode packages and/or operation may be impaired if exposed to CHLOROTHENE, THINNER, ACETONE, or TRICHLOROETHYLENE.

INSTALL WITH CARE

Most photodiodes in this catalog are provided with wire or pin leads for installation in circuit boards or sockets. Observe the soldering temperatures and conditions specified below:

Soldering Iron:	Soldering 30 W or less Temperature at tip of iron 300°C or lower.	
Dip Soldering:	Bath Temperature:	260±5°C.
	Immersion Time:	within 5 Sec.
	Soldering Time:	within 3 Sec.
Vapor Phase Soldering:	DO NOT USE	
Reflow Soldering:	DO NOT USE	

Photodiodes in plastic packages should be given special care. Clear plastic packages are more sensitive to environmental stress than those of black plastic. Storing devices in high humidity can present problems when soldering. Since the rapid heating during soldering stresses the wire bonds and can cause wire to bonding pad separation, it is recommended that devices in plastic packages to be baked for 24 hours at 85°C.

The leads on the photodiode **SHOULD NOT BE FORMED**. If your application requires lead spacing modification, please contact OSI Optoelectronics Applications group at (310)978-0516 before forming a product's leads. Product warranties could be voided.



*Most of our standard catalog products are RoHS Compliant. Please contact us for details

Mechanical Drawings

Mechanical Specifications and Die Topography

1. Parameter Definitions:

A = Distance from top of chip to top of glass.

a = Photodiode Anode.

B = Distance from top of glass to bottom of case.

c = Photodiode Cathode

(Note: cathode is common to case in metal package products unless otherwise noted).

W = Window Diameter.

F.O.V. = Filed of View (see definition below).

2. Dimensions are in inches (1 inch = 25.4 mm).

3. Pin diameters are 0.018 ± 0.002 " unless otherwise specified.

4. Tolerances (unless otherwise noted)

General: $0.XX \pm 0.01$ "

$0.XXX \pm 0.005$ "

Chip Centering: ± 0.010 "

Dimension 'A': ± 0.015 "

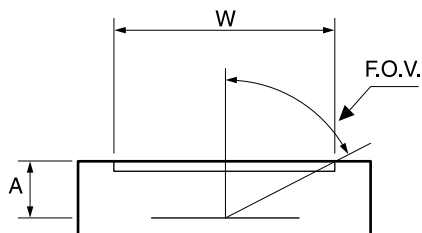
5. Windows

All '**UV**' Enhanced products are provided with QUARTZ glass windows, 0.027 ± 0.002 " thick.

All '**XUV**' products are provided with removable windows.

All '**DLS**' PSD products are provided with A/R coated glass windows.

All '**FIL**' photoconductive and photovoltaic products are epoxy filled instead of glass windows.



$$F.O.V. = \tan^{-1} \left(\frac{W}{2A} \right)$$

For Further Assistance
Please Call One of Our Experienced
Sales and Applications Engineers

310-978-0516

OSI Optoelectronics
An OSI Systems Company

- Or -

visit our website at

www.osioptoelectronics.com

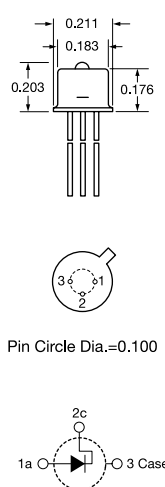

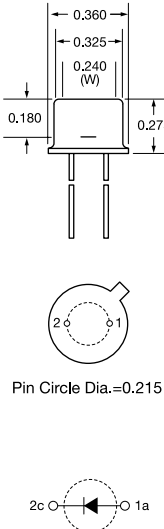
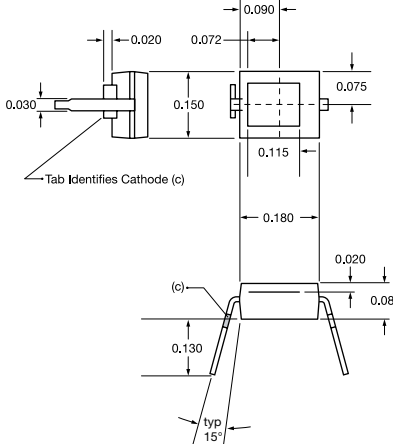
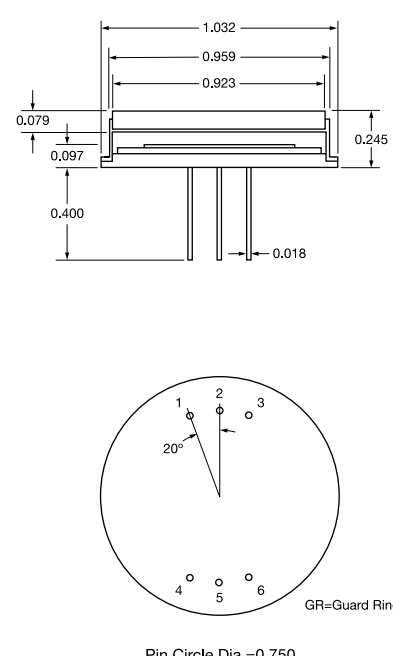
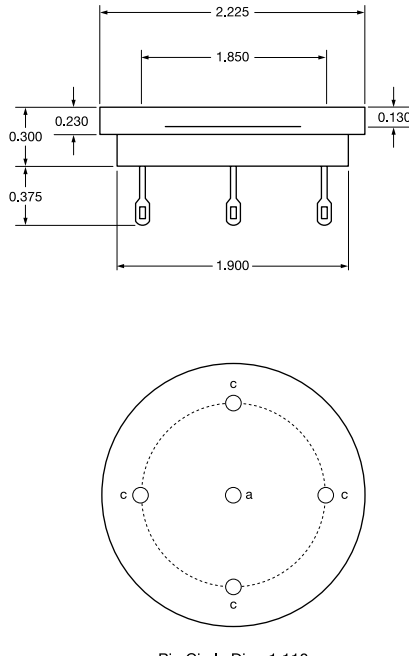
Mechanical Specifications

All units in inches. Pinouts are bottom view.

1 TO-18	2 TO-5	3 TO-8																																	
<p>Products: PIN-020A PIN-040A PIN-040-DP/SB</p> <p>Pin Circle Dia.=0.100</p> <table border="1"> <thead> <tr> <th>P/N</th> <th>A</th> <th>B</th> <th>W</th> </tr> </thead> <tbody> <tr> <td>PIN-020A</td> <td>0.075</td> <td>0.200</td> <td>0.155</td> </tr> <tr> <td>PIN-040A</td> <td>0.075</td> <td>0.200</td> <td>0.155</td> </tr> </tbody> </table>	P/N	A	B	W	PIN-020A	0.075	0.200	0.155	PIN-040A	0.075	0.200	0.155	<p>Products: PIN-5DI PIN-5DPI PIN-13DI PIN-13DPI PIN-5-YAG CD-25T</p> <p>Pin Circle Dia.=0.200</p> <table border="1"> <thead> <tr> <th>P/N</th> <th>A</th> <th>B</th> <th>W</th> </tr> </thead> <tbody> <tr> <td>All Others</td> <td>0.094</td> <td>0.180</td> <td>0.240</td> </tr> <tr> <td>CD-25T</td> <td>0.050</td> <td>0.130</td> <td>0.23</td> </tr> </tbody> </table>	P/N	A	B	W	All Others	0.094	0.180	0.240	CD-25T	0.050	0.130	0.23	<p>Products: PIN-6DI PIN-6DPI PIN-44DI PIN-44DPI APD50-8-150-TO8</p> <p>Pin Circle Dia.=0.295</p> <table border="1"> <thead> <tr> <th>P/N</th> <th>A</th> </tr> </thead> <tbody> <tr> <td>PIN-6DI/6DPI APD50-8-150-TO8</td> <td>0.115</td> </tr> <tr> <td>PIN-44DI/44DPI</td> <td>0.125</td> </tr> <tr> <td>OSD35-0</td> <td>0.130</td> </tr> </tbody> </table>	P/N	A	PIN-6DI/6DPI APD50-8-150-TO8	0.115	PIN-44DI/44DPI	0.125	OSD35-0	0.130	
P/N	A	B	W																																
PIN-020A	0.075	0.200	0.155																																
PIN-040A	0.075	0.200	0.155																																
P/N	A	B	W																																
All Others	0.094	0.180	0.240																																
CD-25T	0.050	0.130	0.23																																
P/N	A																																		
PIN-6DI/6DPI APD50-8-150-TO8	0.115																																		
PIN-44DI/44DPI	0.125																																		
OSD35-0	0.130																																		
<p>Products: PIN-2DI PIN-2DPI PIN-3CDI PIN-3CDP PIN-3CDPI</p> <p>Pin Circle Dia.=0.100</p> <table border="1"> <thead> <tr> <th>A</th> <th>B</th> </tr> </thead> <tbody> <tr> <td>0.070</td> <td>0.200</td> </tr> <tr> <td>0.090</td> <td>0.150</td> </tr> </tbody> </table>	A	B	0.070	0.200	0.090	0.150	<p>Products: PIN-5D PIN-5DP PIN-5DP/SB PIN-13D PIN-13DP PIN-005E-550F UV-001 UV-005 UV-005DQ UV-005EQ UV-013DQ UV-013EQ UV-015 OSD-5-0 OSD15-0 OSD5-5T OSD15-5T</p> <p>Pin Circle Dia.=0.200</p> <table border="1"> <thead> <tr> <th>P/N</th> <th>A</th> <th>B</th> </tr> </thead> <tbody> <tr> <td>OSD-Prefix Devices</td> <td>0.050</td> <td>0.130</td> </tr> <tr> <td>UV-XXXDQ</td> <td>0.065</td> <td>0.138</td> </tr> <tr> <td>UV-XXXEQ</td> <td>0.055</td> <td>0.138</td> </tr> <tr> <td>All Others</td> <td>0.102</td> <td>0.180</td> </tr> </tbody> </table> <p>Quartz Window: OSD5.8-7Q UV Transmissive Window: OSD5.8-7U</p>	P/N	A	B	OSD-Prefix Devices	0.050	0.130	UV-XXXDQ	0.065	0.138	UV-XXXEQ	0.055	0.138	All Others	0.102	0.180	<p>Products: PIN-6D PIN-6DP PIN-44D PIN-44DP UV-020 UV-035DQ UV-035EQ UV-035 Dimensions</p> <p>Pin Circle Dia.=0.295</p> <table border="1"> <thead> <tr> <th>P/N</th> <th>A</th> <th>B</th> </tr> </thead> <tbody> <tr> <td>UV-035DQ</td> <td>0.130</td> <td>0.195</td> </tr> <tr> <td>UV-035EQ</td> <td>0.120</td> <td>0.195</td> </tr> <tr> <td>All Others</td> <td>0.140</td> <td>0.205</td> </tr> </tbody> </table>	P/N	A	B	UV-035DQ	0.130	0.195	UV-035EQ	0.120	0.195	All Others	0.140	0.205
A	B																																		
0.070	0.200																																		
0.090	0.150																																		
P/N	A	B																																	
OSD-Prefix Devices	0.050	0.130																																	
UV-XXXDQ	0.065	0.138																																	
UV-XXXEQ	0.055	0.138																																	
All Others	0.102	0.180																																	
P/N	A	B																																	
UV-035DQ	0.130	0.195																																	
UV-035EQ	0.120	0.195																																	
All Others	0.140	0.205																																	
<p>Products: PIN-3CD PIN-3CDP BPX-65 OSD1-0 OSD1-5T OSD3-5T OSD1-E OSD3-E</p> <p>Pin Circle Dia.=0.100</p> <table border="1"> <thead> <tr> <th>P/N</th> <th>A</th> <th>B</th> </tr> </thead> <tbody> <tr> <td>PIN-3CD / 3CDP</td> <td>0.087</td> <td>0.146</td> </tr> <tr> <td>BPX-65</td> <td>0.075</td> <td>0.200</td> </tr> <tr> <td>OSD-Prefix Devices</td> <td>0.080</td> <td>0.200</td> </tr> </tbody> </table> <p>Quartz Window: OSD1.2-7Q UV Transmissive Window: OSD1.2-7U</p>	P/N	A	B	PIN-3CD / 3CDP	0.087	0.146	BPX-65	0.075	0.200	OSD-Prefix Devices	0.080	0.200	<p>Products: PIN-125DPL</p> <p>Pin Circle Dia.=0.100</p>	<p>Products: PIN-HR005 PIN-HR008 PIN-HR020 PIN-HR026 PIN-HR040</p> <p>Pin Circle Dia.=0.100</p>																					
P/N	A	B																																	
PIN-3CD / 3CDP	0.087	0.146																																	
BPX-65	0.075	0.200																																	
OSD-Prefix Devices	0.080	0.200																																	

Mechanical Specifications

All units in inches. Pinouts are bottom view.

16 TO-18 Lensed Cap	17 TO-5	18 TO-5																																			
<p>Products: PIN-HR005L PIN-HR008L PIN-HR020L PIN-HR026L PIN-HR040L</p>  <p>Pin Circle Dia.=0.100</p>	<p>Products: PIN-DSS PIN-DSIn</p>  <p>Pin Circle Dia.=0.220</p>	<p>Products: PIN-005D-245F</p>  <p>Pin Circle Dia.=0.215</p>																																			
19 Plastic Mold	20 Special Metal	21 Special Metal																																			
<p>Products: BPW34 BPW34B BPW34S</p>  <p>Tab Identifies Cathode (c)</p> <p>BPW34S 0.177, 0.169, 0.035, 0.028, 0.067, 0.059, 0.032, CATHODE</p> <p>0.157, 0.150, 0.004 MIN, 0-5°, 0.264, 0.240, 0.047 MAX</p>	<p>Products: SPOT-15-YAG SPOT-9-YAG PIN-100-YAG</p>  <p>GR=Guard Ring</p> <p>Pin Circle Dia.=0.750</p> <table border="1" data-bbox="584 1848 1023 1953"> <thead> <tr> <th colspan="7">Pinouts</th> </tr> <tr> <th>P/N</th> <th>1</th> <th>2</th> <th>3</th> <th>4</th> <th>5</th> <th>6</th> </tr> </thead> <tbody> <tr> <td>SPOT-15-YAG</td> <td>C1</td> <td>GR</td> <td>C4</td> <td>C2</td> <td>A</td> <td>C3</td> </tr> <tr> <td>SPOT-9-YAG</td> <td>C1</td> <td>GR</td> <td>C4</td> <td>C2</td> <td>A</td> <td>C3</td> </tr> <tr> <td>PIN-100-YAG</td> <td>--</td> <td>C</td> <td>--</td> <td>--</td> <td>A</td> <td>--</td> </tr> </tbody> </table>	Pinouts							P/N	1	2	3	4	5	6	SPOT-15-YAG	C1	GR	C4	C2	A	C3	SPOT-9-YAG	C1	GR	C4	C2	A	C3	PIN-100-YAG	--	C	--	--	A	--	<p>Products: SC-50D</p>  <p>Pin Circle Dia.=1.110</p>
Pinouts																																					
P/N	1	2	3	4	5	6																															
SPOT-15-YAG	C1	GR	C4	C2	A	C3																															
SPOT-9-YAG	C1	GR	C4	C2	A	C3																															
PIN-100-YAG	--	C	--	--	A	--																															